

诚招全国代理商
Recruitment of National Agents

+86-139 5889 5999

中国·兴生机械科技有限公司

CHINA·XINGSHENG MACHINERY TECHNOLOGY CO., LTD

地址：温州经济技术开发区滨海园区梧桐路51号

电话：0577-86810730

传真：0577-86822251

E-mail: xingsheng@seasom.com

Http: www.seasom.com

Address: No. 51, wutong Road, Binhai Park, Wenzhou Economic and Technological Development Zone

Phone: +86-577-86810730

Fax: +86-577-86822251

E-mail: xingsheng@seasom.com

Http: www.seasom.com



扫码咨询/WeChat



企业官网/Web



PRODUCT SELECTION GUIDE

产品选型手册

>> 新以致远，共赢未来



卫生级人孔
SANITARY GRADE MANHOLE



软管接头
HOSE CONNECTOR



卫生级管件
SANITARY GRADE FITTINGS



卫生级视镜
SANITARY SIGHT GLASS



卫生级卡箍
SANITARY CLAMP SERIES

卫生级管件卡箍制造商

MANUFACTURER OF SANITARY GRADE PIPE FITTINGS CLAMPS

COMPANY PROFILE

公司简介

>> 新以致远，共赢未来

CHINA XINGSHENG
MACHINERY TECHNOLOGY
CO., LTD

中国·兴生机械科技有限公司

兴生机械科技有限公司成立于1990年，现位于温州市滨海园区，公司员工150余人，是一家专注研发、生产不锈钢法兰、卫生级阀门、高洁净管件和管道配件的企业；公司先后通过质量管理体系认证ISO9001-2015，蝶阀、止回阀类特征设备制造许可证(TS)，德国挪威船级社认证，管件类卫生许可批件，法兰类特种设备制造许可证(TS),公司专业化的产品和技术广泛应用于二次供水、智慧泵站、污水提升、精细化工、食品、酿酒、制药机械等领域，兴生众多的创新方案，努力为我们的水环境贡献自己的力量。

兴生拥有先进的加工、检测设备，高精度数控车床、4轴加工中心、环缝和管&管自动焊机、手持光谱仪等高自动化设备，并且兴生的加工技术、焊接技术、表面处理技术等均已达到国内外先进水平，我们本着“新以致远，共赢未来”的品牌精神，用我们的技术和设计不断的创新，提高自身的产品和给客户带来更优质的解决方案，创造更多的价值。

兴生凭着“客户至上，服务先行”的理念，赢得客户们的信赖，最终服务提升人类的生活品质。

XingSheng Machinery Technology Co., Ltd has existed for three decades, and nestled in BinHai economic zone, Wenzhou city, China. We are the premier licensed Chinese manufacturer of stainless steel flanges, sanitary valves and pipe fittings. XingSheng has always stood for quality and dependability since first opened its doors in 1990. We passed ISO 9001 certification, was approved by DET NORSKE VERITAS (DNV), and holding manufacture license of special equipment (TS) for valves, flanges and pipe fittings, which are widely applied in secondary water supply, automatic pumping station, sewage treatment system, fine chemical engineering, industries of food, brewery and pharmacy. We keep establishing innovations and solutions to make a contribution to the water environment.

XingSheng adopts advanced processing and inspection equipment, such as high precision CNC, 4-Axis Machining Center, automatic pipe welding machine, spectrograph and etc..... Meanwhile, our processing, welding and surface treatment techniques are in a world leading level. XingSheng's philosophy "Paving the way with innovation, and win-win future",. Keeping on innovating the technology and designation, to improve our products and provide clients the best solution, and create more values.

XingSheng wins customers' trust and support by virtue of our core value "Service first, customer foremost", and ultimately serve to promote human live quality.



对产品质量充满信心
与社会共存，合作进步，我们将发展公司，为人类做出贡献。

Full of confidence in the product quality, by coexisting with society and cooperative progress, we will develop company and make contribution to the human beings.

SINCE 1990

DEVELOPMENT HISTORY

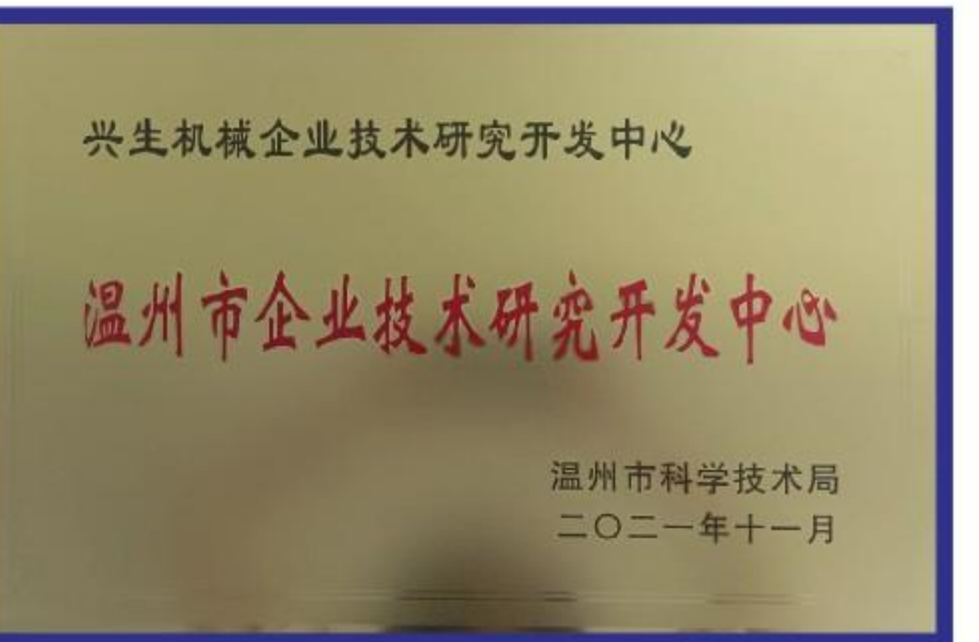
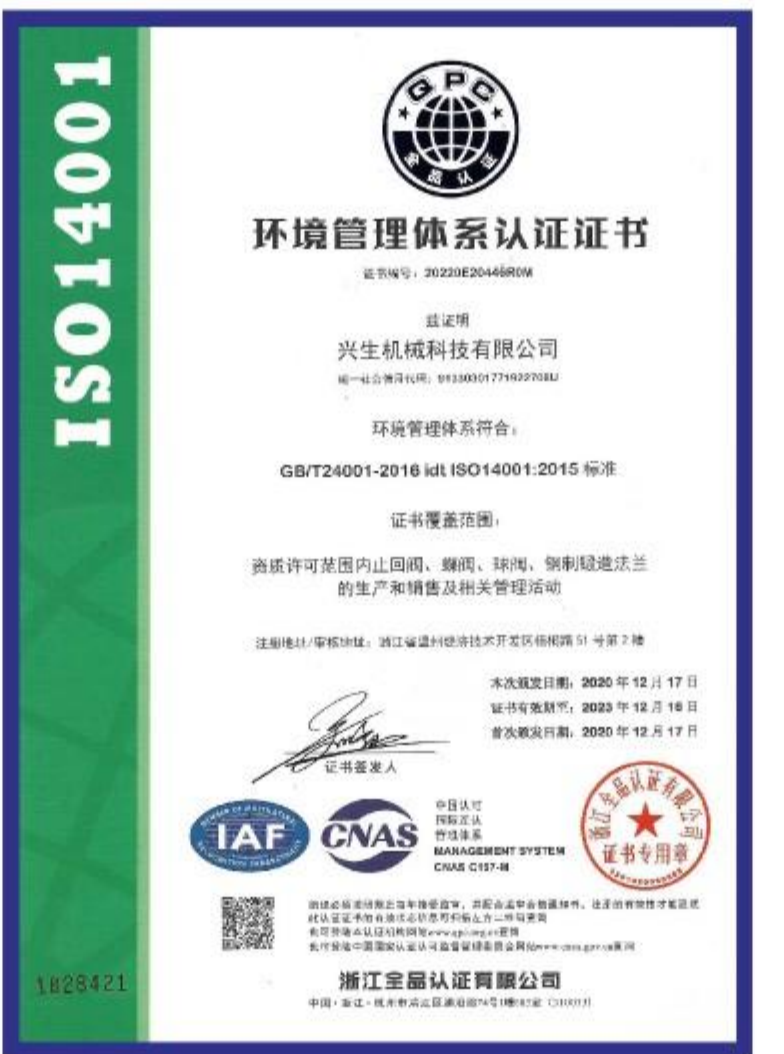
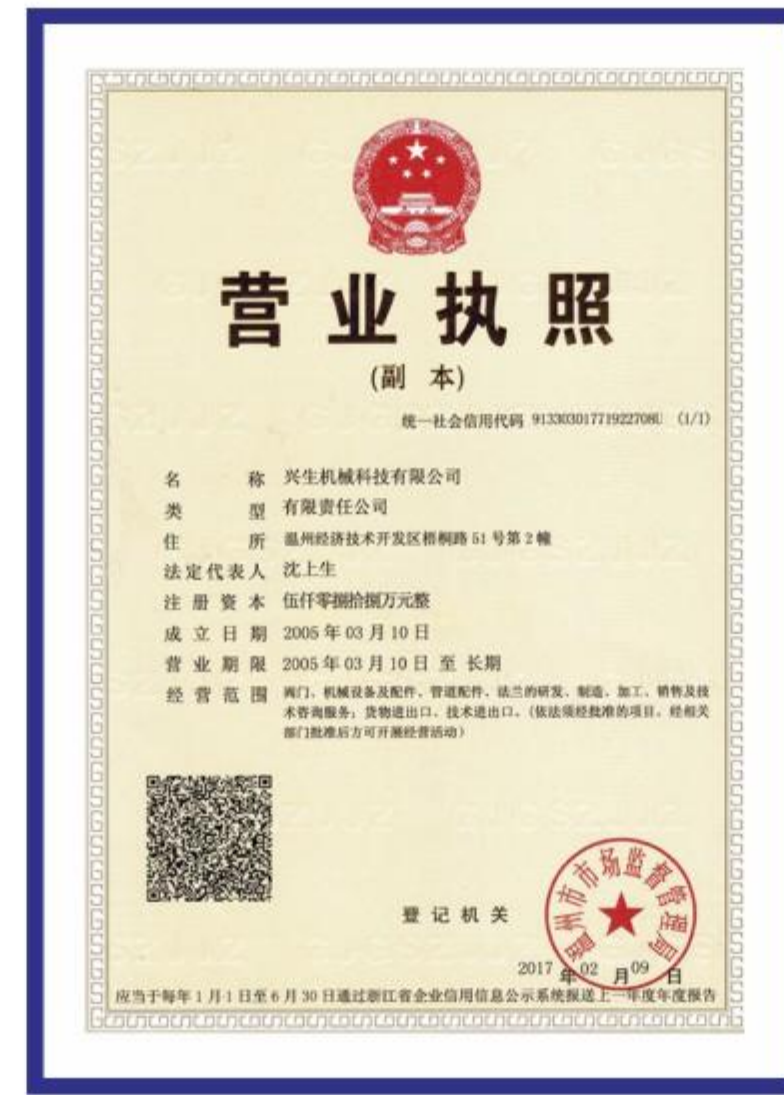
发展历程

>> 新以致远，共赢未来

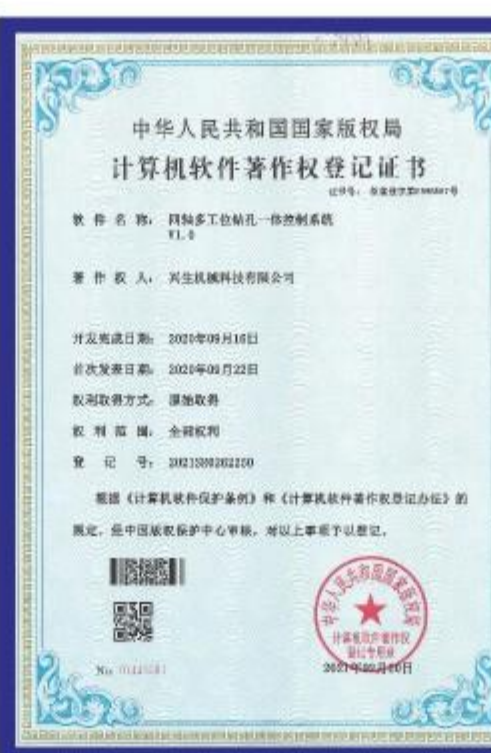
在竞争激烈的商业环境中，企业资质不仅是合法经营的基础，也是赢得客户信任和市场竞争力的关键。我公司自成立以来，一直致力于不断完善资质建设。目前，我们拥有多项行业领先的专业认证，包括ISO质量管理体系认证、国家一级施工总承包资质和多项产品专利证书。这些资质不仅展示了我们在技术、管理、创新等方面的卓越能力，也为我们赢得了众多合作伙伴的青睐和认可。

In a fiercely competitive business environment, corporate qualifications are not only the cornerstone of legal operation, but also the key to winning customer trust and market competitiveness. Since its establishment, our company has been committed to the continuous improvement of qualification construction. Currently, we have multiple industry-leading professional certifications, including ISO quality management system certification, national first-class qualification for construction general contracting, and multiple product patent certificates.

These qualifications not only demonstrate our outstanding abilities in technology, management, innovation, etc., but also win us the favor and recognition of numerous partners.














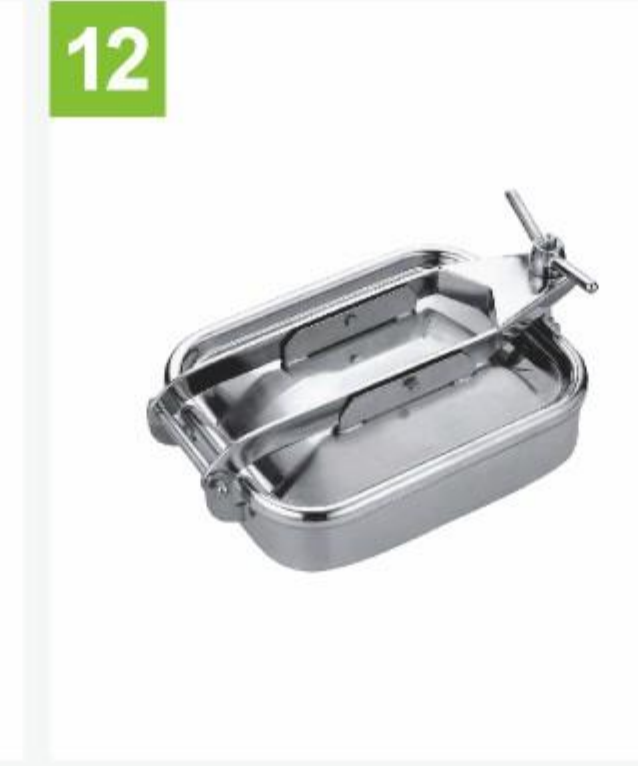




提升企业资质 打造优秀品牌
ENHANCE ENTERPRISE QUALIFICATIONS AND CREATE EXCELLENT BRANDS



CONTENTS

目录

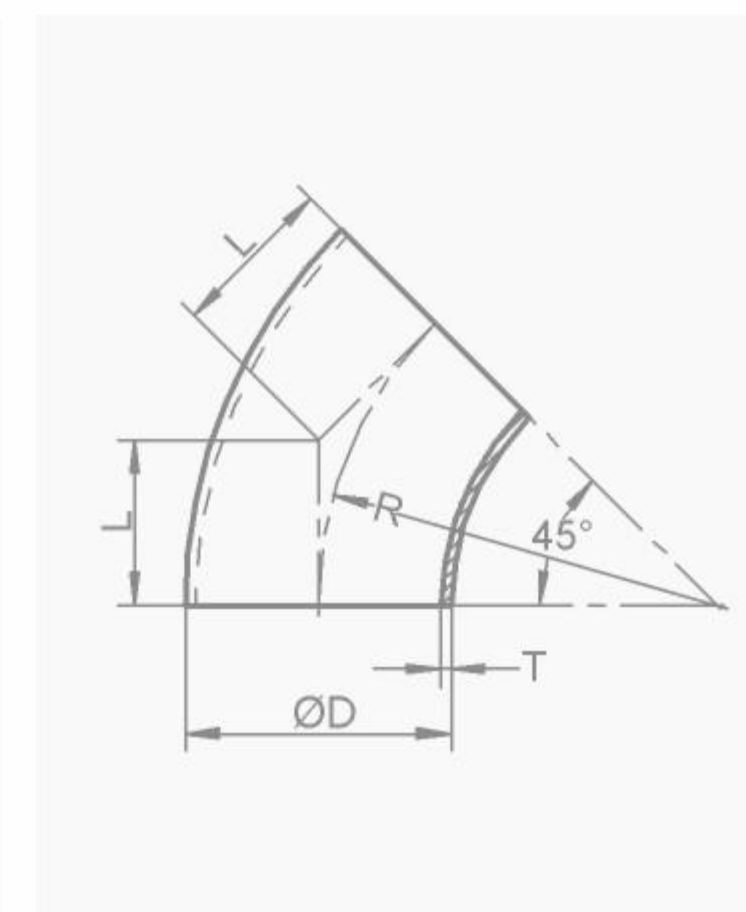
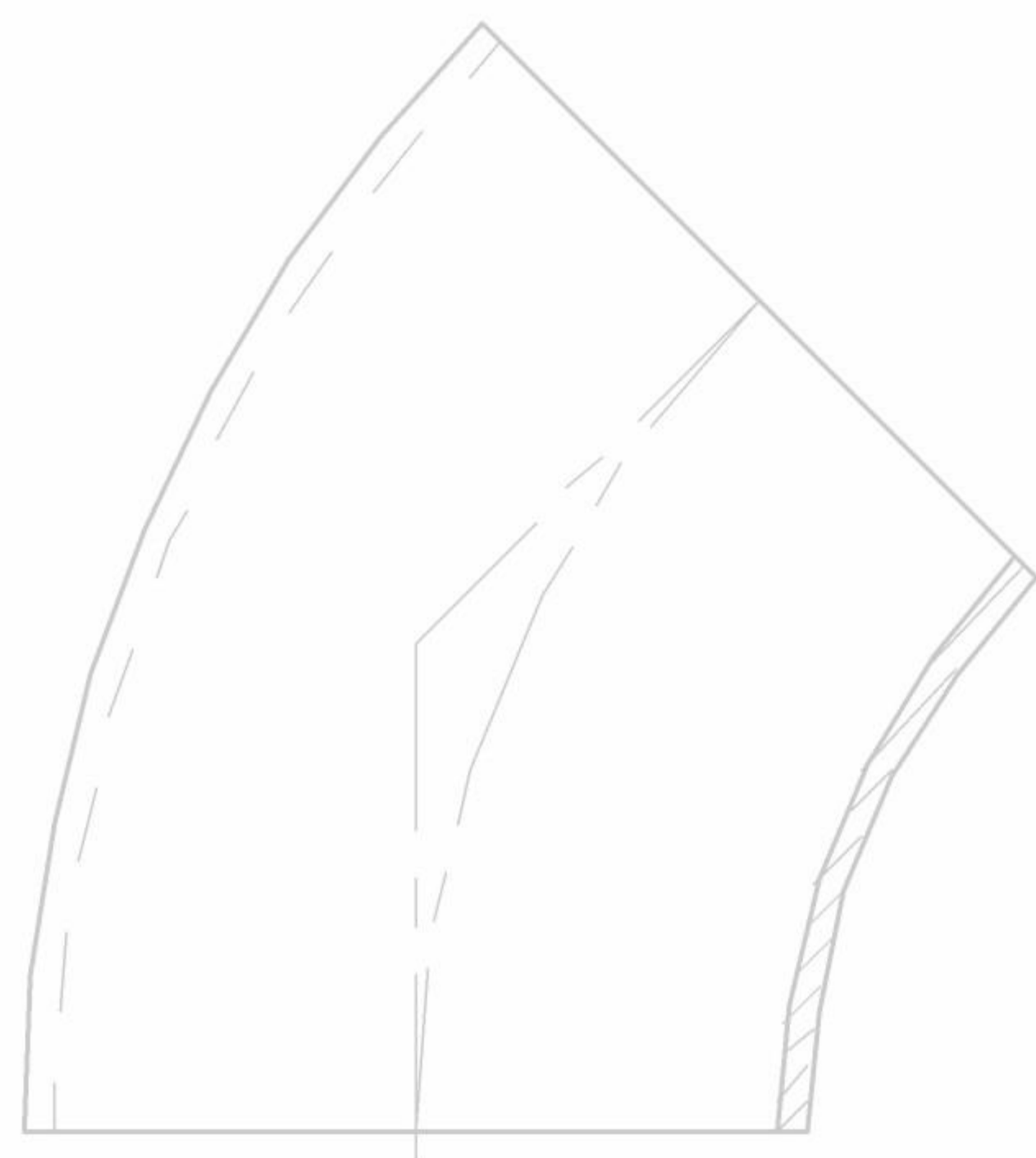
>> 新以致远，共赢未来

 <p>01</p>	 <p>02</p>	 <p>03</p>	 <p>04</p>	 <p>05</p>	 <p>06</p>	 <p>07</p>	 <p>08</p>
001 Sanitary Pipe Fittings 3A Series 卫生级管件3A系列	016 Sanitary Pipe Fittings AS Series 卫生级管件AS系列	021 Sanitary Pipe Fittings BPE Series 卫生级管件BPE系列	033 Sanitary Pipe Fittings BS Series 卫生级管件BS系列	038 Sanitary Pipe Fittings DIN Series 卫生级管件DIN系列	050 Sanitary Pipe Fittings ISO Series 卫生级管件ISO系列	058 Sanitary Pipe Fittings SMS Series 卫生级管件SMS系列	064 Hose Barb Adapter 3A Series 软管接头3A系列
 <p>09</p>	 <p>10</p>	 <p>11</p>	 <p>12</p>	 <p>13</p>	 <p>14</p>	 <p>15</p>	
066 Sanitary Union Series 卫生级由任系列	097 Sanitary Vacuum Pipe Fittings Series 卫生级真空管件系列	102 Cleaning Ball Series 清洗球系列	107 Sanitary Grade Manhole Series 卫生级人孔系列	109 Pipe Support Series 管支架系列	115 Sanitary Sight Glass Series 视镜系列	121 Sanitary Clamp Series 卡箍系列	兴生机械科技 XingSheng Machinery Technology

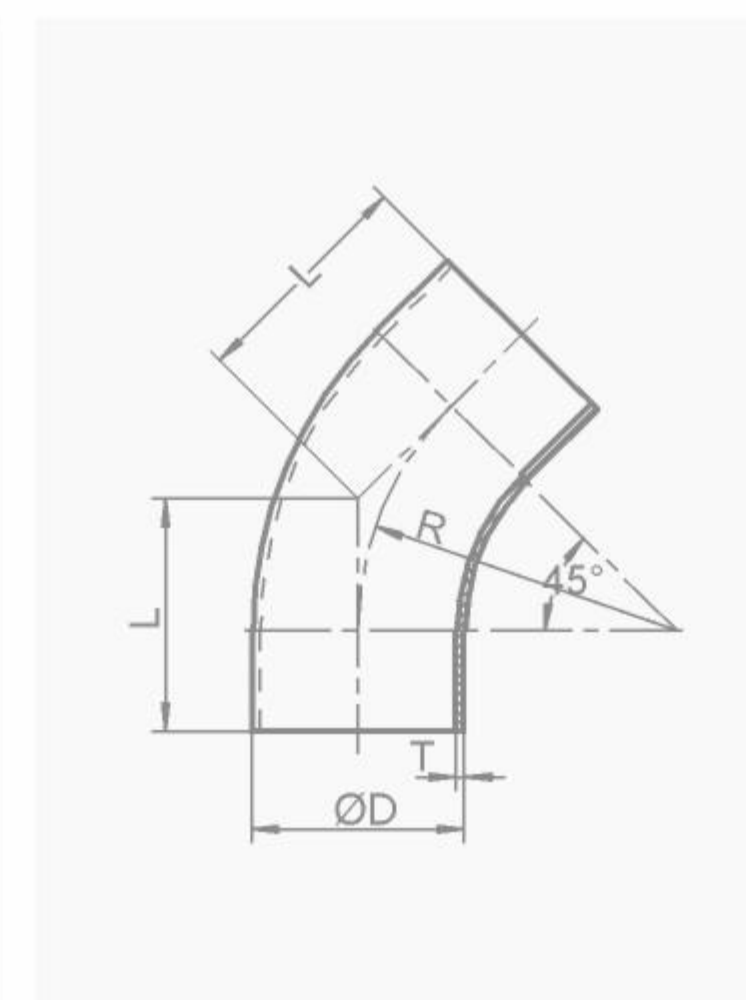
SANITARY PIPE FITTINGS 3A SERIES

卫生级管件3A系列

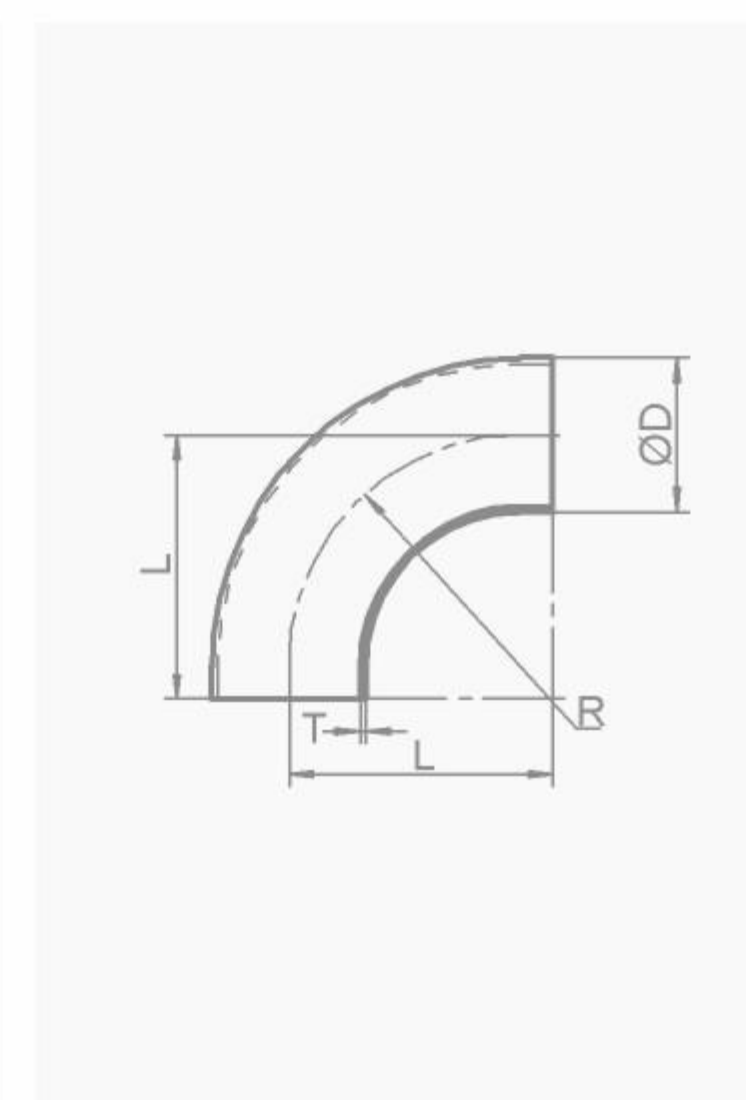
01



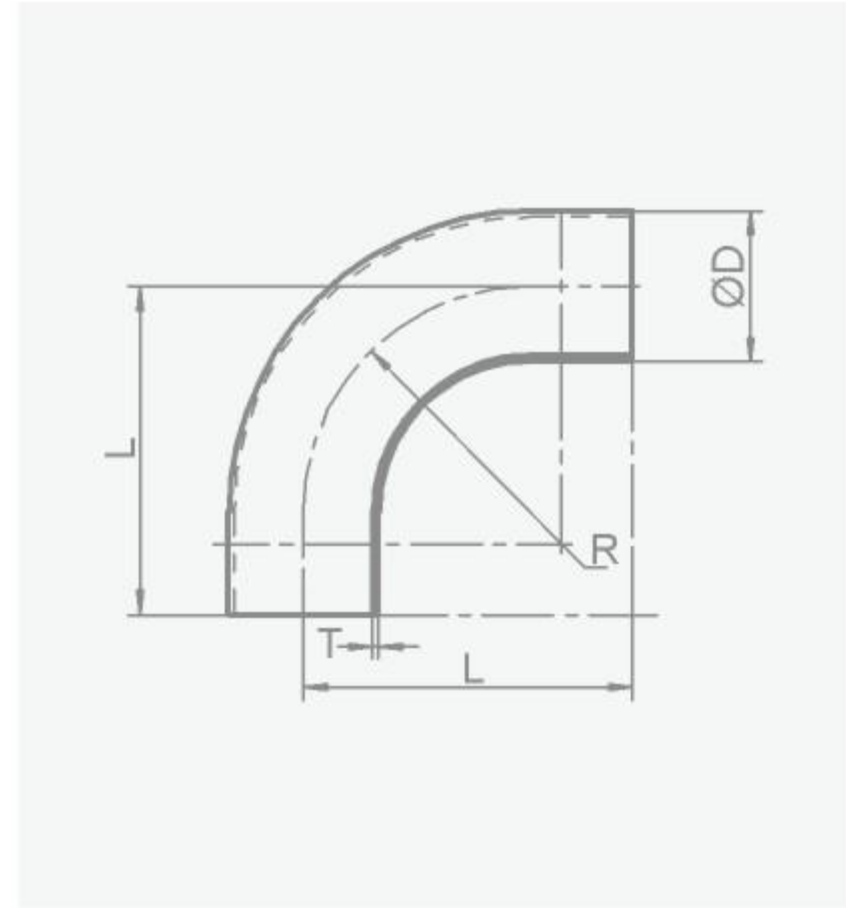
45°焊式短弯头 / 45° Weld Short Elbow				
Size	ØD	L	R	T
1/2"	12.7	7.9	19.1	1.65
3/4"	19.1	11.8	28.6	1.65
1.0"	25.4	15.8	38.1	1.65
1.25"	31.8	19.8	47.7	1.65
1.5"	38.1	23.7	57.2	1.65
2.0"	50.8	31.6	76.2	1.65
2.5"	63.5	39.5	95.3	1.65
3.0"	76.2	47.3	114.3	1.65
4.0"	101.6	63.1	152.4	2.1
6.0"	152.4	94.7	228.6	2.77



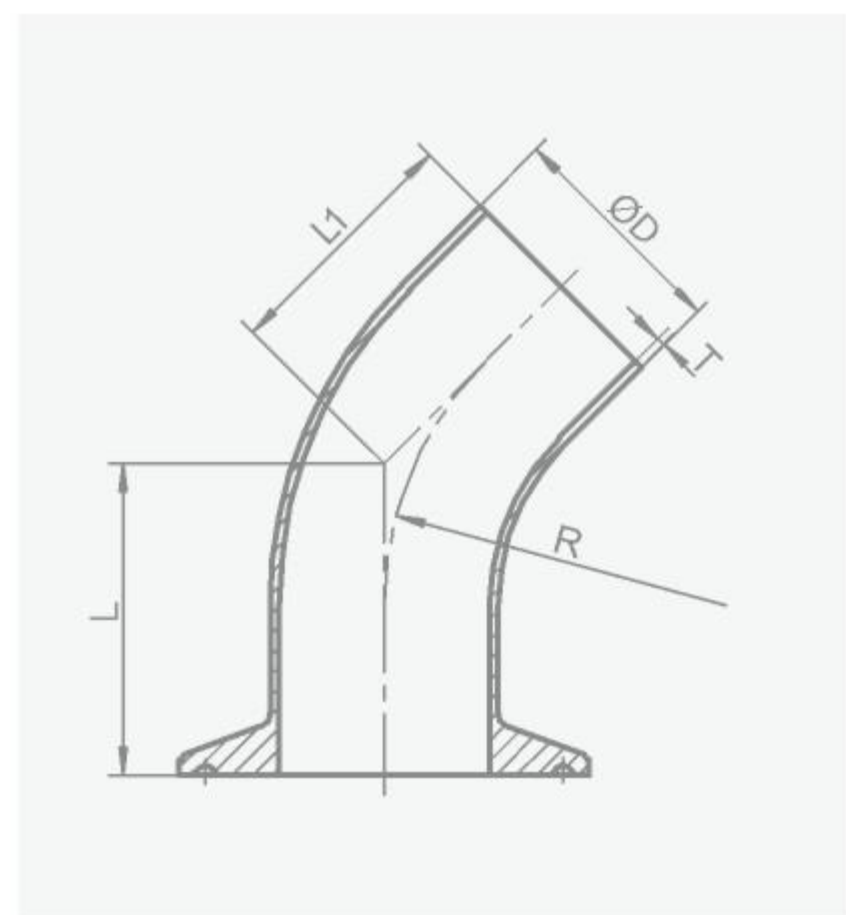
45°焊式长弯头 / 45° Weld Long Elbow				
Size	ØD	L	R	T
1/2"	12.7	30.2	19.1	1.65
3/4"	19.1	30.2	28.6	1.65
1.0"	25.4	30.2	38.1	1.65
1.25"	31.8	35.8	47.7	1.65
1.5"	38.1	41.3	57.2	1.65
2.0"	50.8	58.7	76.2	1.65
2.5"	63.5	76.2	95.3	1.65
3.0"	76.2	93.7	114.3	1.65
4.0"	101.6	122.2	152.4	2.1
6.0"	152.4	158.2	228.6	2.77



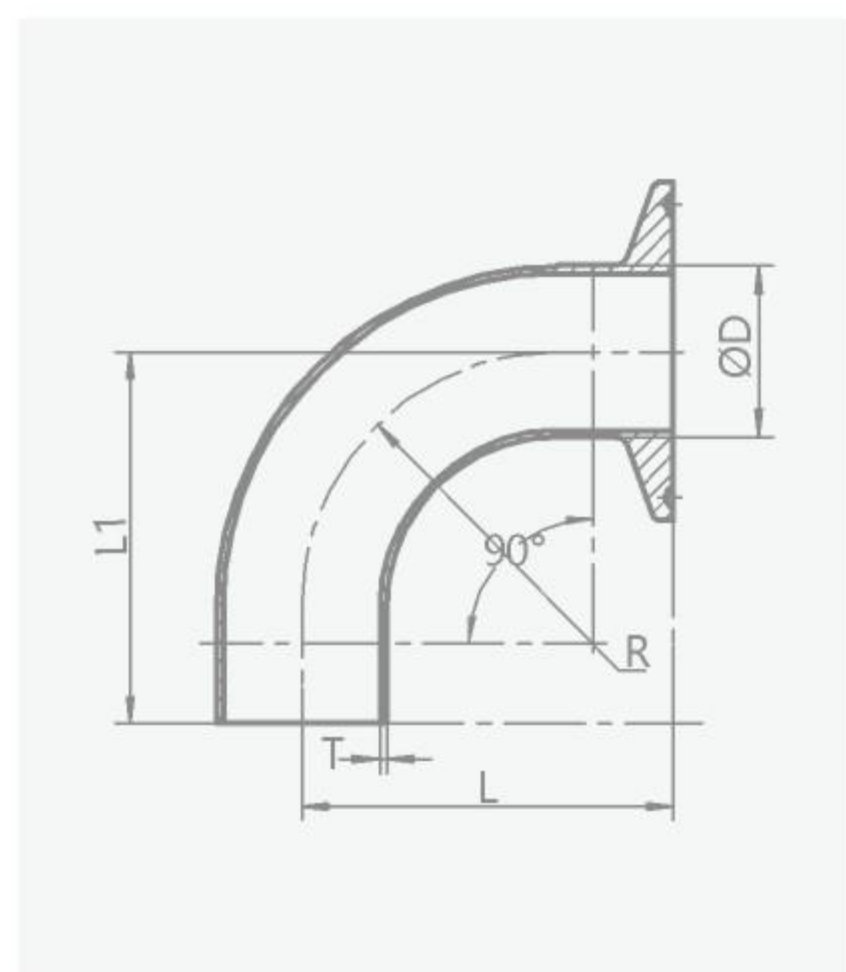
90°焊式短弯头 / 90° Weld Short Elbow				
Size	ØD	L	R	T
1/2"	12.7	19.1	19.1	1.65
3/4"	19.1	28.6	28.6	1.65
1.0"	25.4	38.1	38.1	1.65
1.25"	31.8	47.7	47.7	1.65
1.5"	38.1	57.2	57.2	1.65
2.0"	50.8	76.2	76.2	1.65
2.5"	63.5	95.3	95.3	1.65
3.0"	76.2	114.3	114.3	1.65
4.0"	101.6	152.4	152.4	2.1
5.0"	127	190.5	190.5	2.77
6.0"	152.4	228.6	228.6	2.77



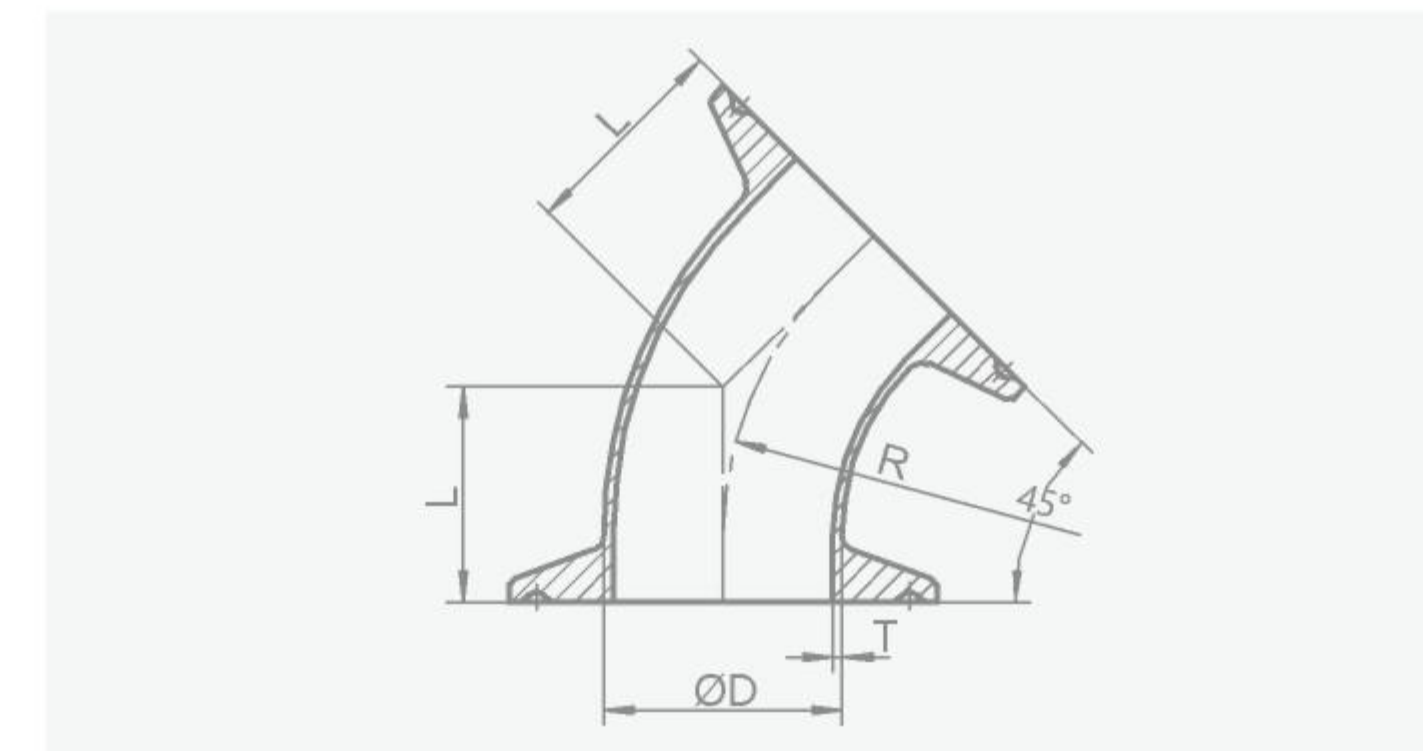
90°焊式长弯头 / 90° Weld Long Elbow				
Size	ØD	L	R	T
1/2"	12.7	52.4	19.1	1.65
3/4"	19.1	52.4	28.6	1.65
1.0"	25.4	52.4	38.1	1.65
1.25"	31.8	64	47.7	1.65
1.5"	38.1	74.6	57.2	1.65
2.0"	50.8	103.2	76.2	1.65
2.5"	63.5	131.8	95.3	1.65
3.0"	76.2	160.3	114.3	1.65
4.0"	101.6	211.1	152.4	2.1
6.0"	152.4	292.1	228.6	2.77



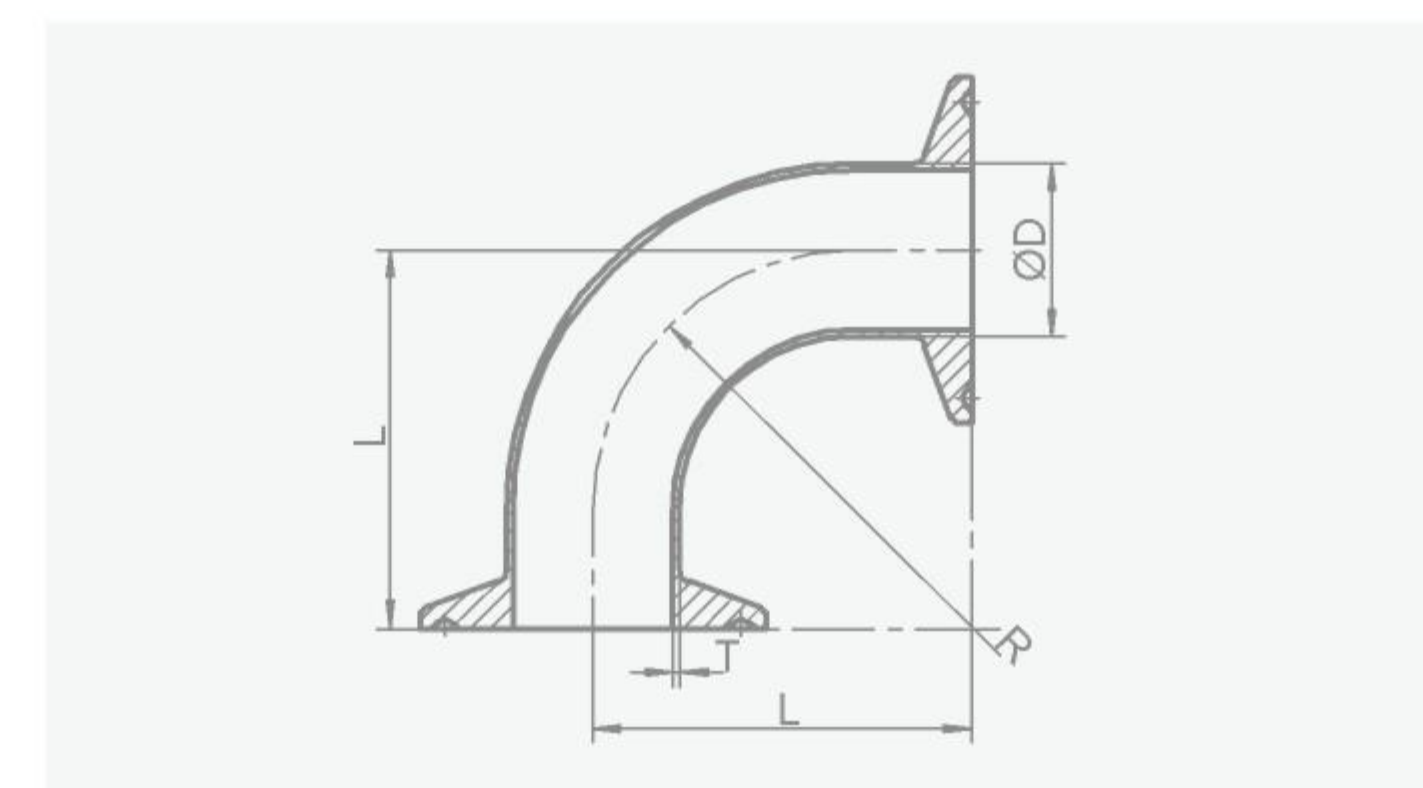
45°焊夹式长弯头 / 45° Weld-Clamp Long Elbow					
Size	ØD	L	L1	R	T
1/2"	12.7	42.9	30.2	19.1	1.65
3/4"	19.1	42.9	30.2	28.6	1.65
1.0"	25.4	42.9	30.2	38.1	1.65
1.25"	31.8	48.5	35.8	47.7	1.65
1.5"	38.1	54	41.3	57.2	1.65
2.0"	50.8	71.4	58.7	76.2	1.65
2.5"	63.5	88.9	76.2	95.3	1.65
3.0"	76.2	106.4	93.7	114.3	1.65
4.0"	101.6	138	122.2	152.4	2.1
6.0"	152.4	179.7	158.2	228.6	2.77



90°焊夹式长弯头 / 90° Weld-Clamp Elbow					
Size	ØD	L	L1	R	T
1/2"	12.7	65.1	52.4	19.1	1.65
3/4"	19.1	65.1	52.4	28.6	1.65
1.0"	25.4	65.1	52.4	38.1	1.65
1.25"	31.8	76.7	64	47.7	1.65
1.5"	38.1	87.3	74.6	57.2	1.65
2.0"	50.8	115.9	103.2	76.2	1.65
2.5"	63.5	144.5	131.8	95.3	1.65
3.0"	76.2	173	160.3	114.3	1.65
4.0"	101.6	227	211.2	152.4	2.1
6.0"	152.4	313.6	292.1	228.6	2.77



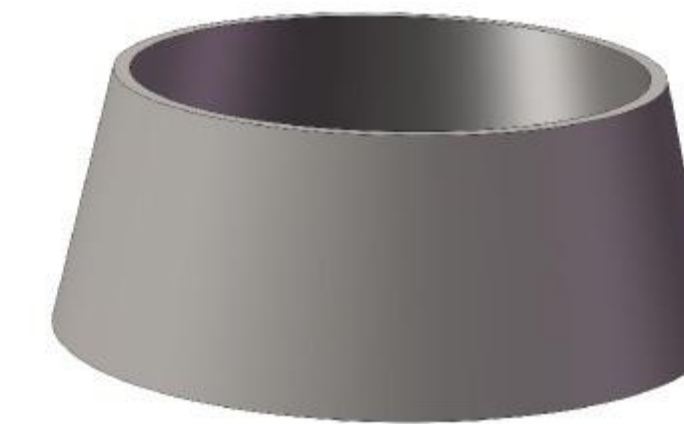
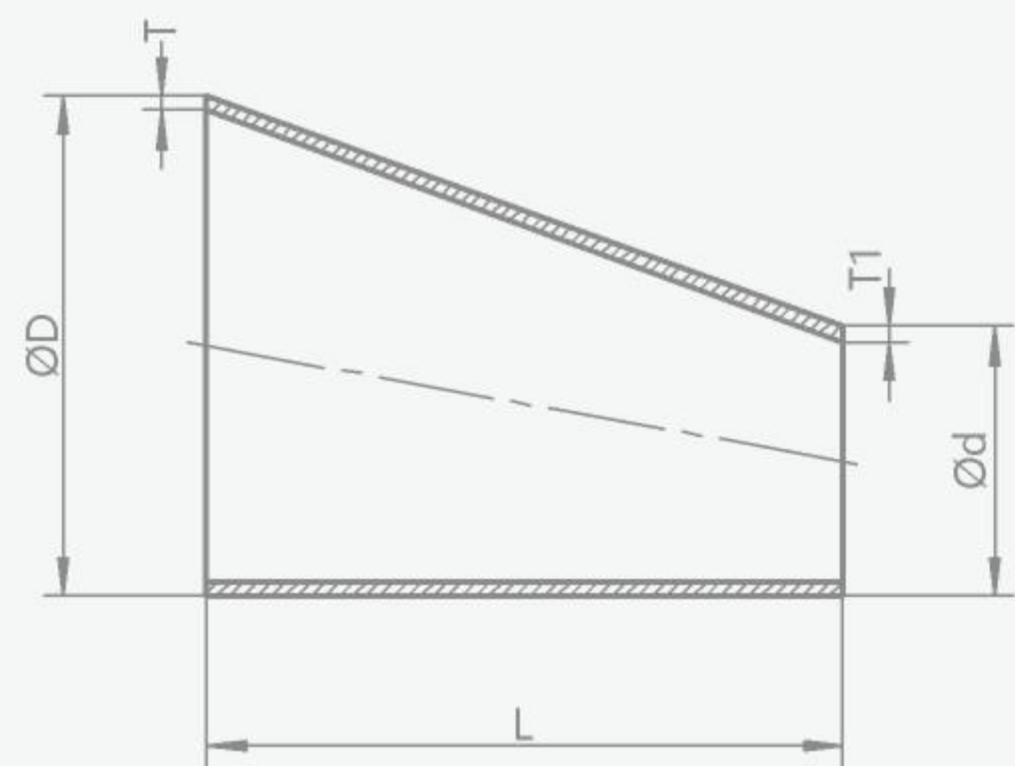
45°夹式短弯头 / 45° Clamp Short Elbow				
Size	ØD	L	R	T
1/2"	12.7	20.6	19.1	1.65
3/4"	19.1	24.6	28.6	1.65
1.0"	25.4	28.5	38.1	1.65
1.25"	31.8	32.5	47.7	1.65
1.5"	38.1	36.4	57.2	1.65
2.0"	50.8	44.3	76.2	1.65
2.5"	63.5	52.2	95.3	1.65
3.0"	76.2	60	114.3	1.65
4.0"	101.6	78.9	152.4	2.1
6.0"	152.4	116.2	228.6	2.77



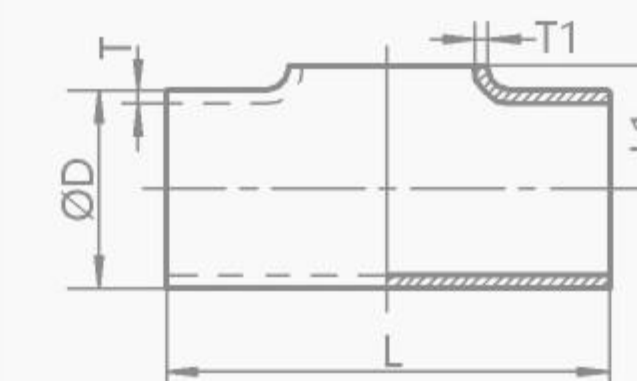
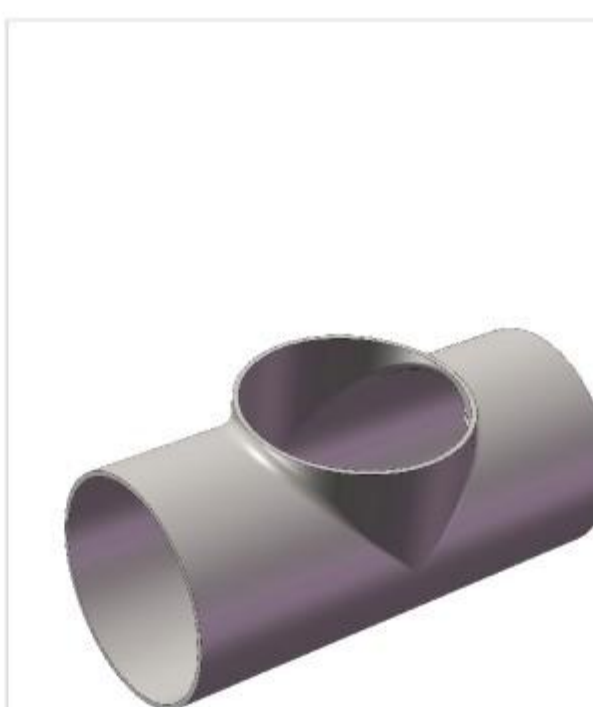
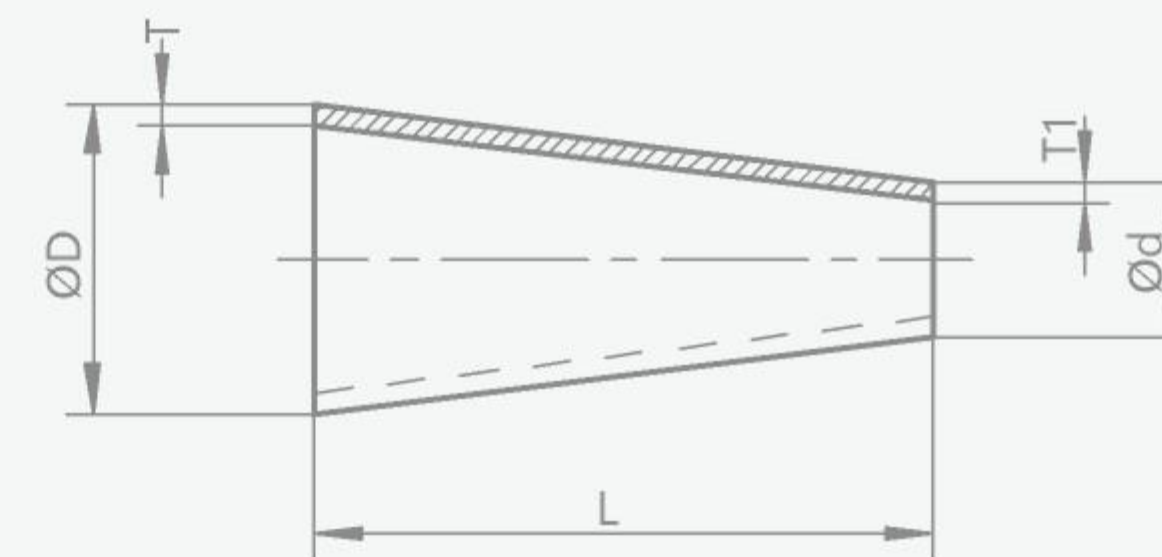
90°夹式短弯头 / 90° Clamp Short Elbow				
Size	ØD	L	R	T
1/2"	12.7	31.8	19.1	1.65
3/4"	19.1	41.3	28.6	1.65
1.0"	25.4	50.8	38.1	1.65
1.25"	31.8	60.4	47.7	1.65
1.5"	38.1	69.9	57.2	1.65
2.0"	50.8	88.9	76.2	1.65
2.5"	63.5	107.95	95.3	1.65
3.0"	76.2	127	114.3	1.65
4.0"	101.6	168.2	152.4	2.1
6.0"	152.4	250.1	228.6	2.77



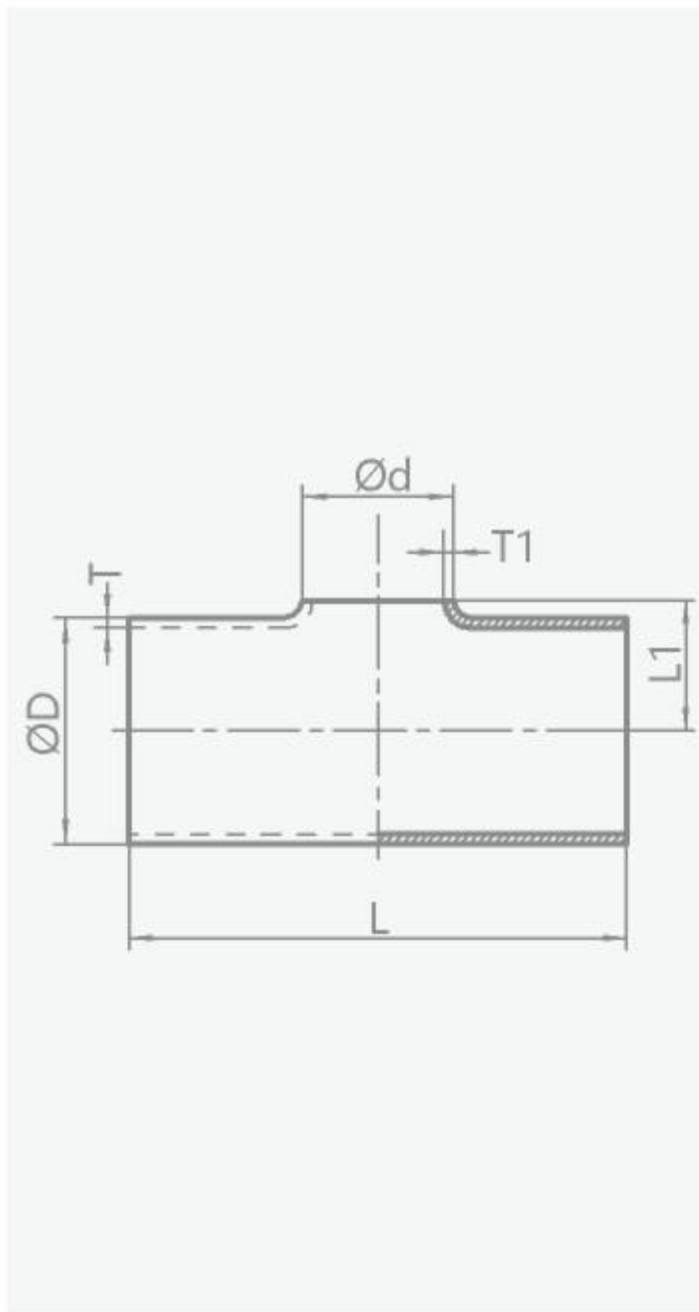
焊式偏心大小头 / Weld Eccentric Reducer					
Size	ØD	Ød	L	T	T1
3/4"X1/2"	19.1	12.7	25.4	1.65	1.65
1.0"X1/2"	25.4	12.7	50.8	1.65	1.65
1.0"X3/4"	25.4	19.1	25.4	1.65	1.65
1.5"X1/2"	38.1	12.7	101.6	1.65	1.65
1.5"X3/4"	38.1	19.1	76.2	1.65	1.65
1.5"x1.0"	38.1	25.4	50.8	1.65	1.65
2.0"X1/2"	50.8	12.7	152.4	1.65	1.65
2.0"X3/4"	50.8	19.1	127	1.65	1.65
2.0"X1.0"	50.8	25.4	101.6	1.65	1.65
2.0"X1.5"	50.8	38.1	50.8	1.65	1.65
2.5"X1.0"	63.5	25.4	152.4	1.65	1.65
2.5"X1.5"	63.5	38.1	101.6	1.65	1.65
2.5"X2.0"	63.5	50.8	50.8	1.65	1.65
3.0"X1.0"	76.2	25.4	203.2	1.65	1.65
3.0"X1.5"	76.2	38.1	152.4	1.65	1.65
3.0"X2.0"	76.2	50.8	101.6	1.65	1.65
3.0"X2.5"	76.2	63.5	50.8	1.65	1.65
4.0"X1.0"	101.6	25.4	304.8	2.1	1.65
4.0"X1.5"	101.6	38.1	254	2.1	1.65
4.0"X2.0"	101.6	50.8	203.2	2.1	1.65
4.0"X2.5"	101.6	63.5	152.4	2.1	1.65
4.0"X3.0"	101.6	76.2	101.6	2.1	1.65
6.0"X2.0"	152.4	50.8	139.7	2.77	1.65
6.0"X3.0"	152.4	76.2	139.7	2.77	1.65
6.0"X4.0"	152.4	101.6	139.7	2.77	2.1



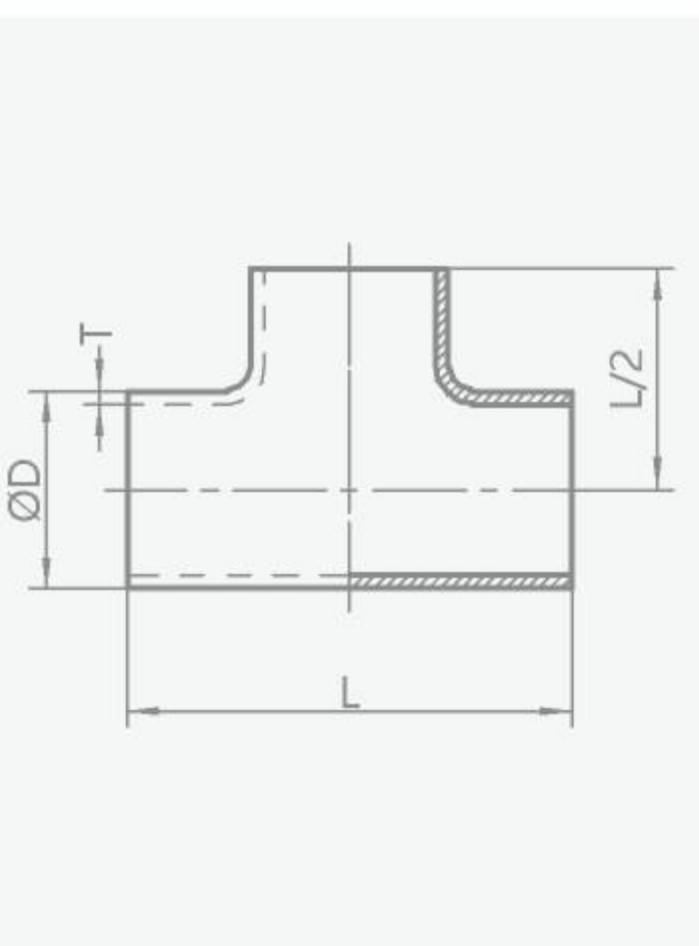
焊式同心大小头 / Welded Concentric Reducer					
Size	ØD	Ød	L	T	T1
3/4"X1/2"	19.1	12.7	25.4	1.65	1.65
1.0"X1/2"	25.4	12.7	50.8	1.65	1.65
1.0"X3/4"	25.4	19.1	25.4	1.65	1.65
1.5"X1/2"	38.1	12.7	101.6	1.65	1.65
1.5"X3/4"	38.1	19.1	76.2	1.65	1.65
1.5"x1.0"	38.1	25.4	50.8	1.65	1.65
2.0"X1/2"	50.8	12.7	152.4	1.65	1.65
2.0"X3/4"	50.8	19.1	127	1.65	1.65
2.0"X1.0"	50.8	25.4	101.6	1.65	1.65
2.0"X1.5"	50.8	38.1	50.8	1.65	1.65
2.5"X1.0"	63.5	25.4	152.4	1.65	1.65
2.5"X1.5"	63.5	38.1	101.6	1.65	1.65
2.5"X2.0"	63.5	50.8	50.8	1.65	1.65
3.0"X1.0"	76.2	25.4	203.2	1.65	1.65
3.0"X1.5"	76.2	38.1	152.4	1.65	1.65
3.0"X2.0"	76.2	50.8	101.6	1.65	1.65
3.0"X2.5"	76.2	63.5	50.8	1.65	1.65
4.0"X1.0"	101.6	25.4	304.8	2.1	1.65
4.0"X1.5"	101.6	38.1	254	2.1	1.65
4.0"X2.0"	101.6	50.8	203.2	2.1	1.65
4.0"X2.5"	101.6	63.5	152.4	2.1	1.65
4.0"X3.0"	101.6	76.2	101.6	2.1	1.65
6.0"X2.0"	152.4	50.8	139.7	2.77	1.65
6.0"X3.0"	152.4	76.2	139.7	2.77	1.65
6.0"X4.0"	152.4	101.6	139.7	2.77	2.1



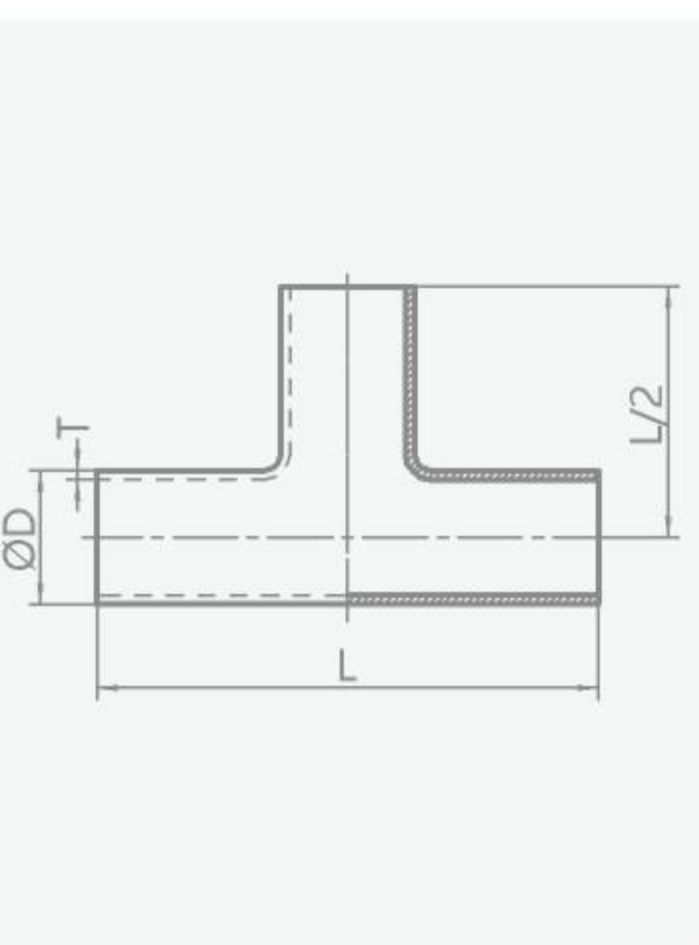
焊式等径平口短三通 / Welded Equal Short Tee Without Straight End				
Size	ØD	L	L1	T/T1
1.0"	25.4	57.2	16	1.65
1.5"	38.1	84.2	22	1.65
2.0"	50.8	104.8	29	1.65
2.5"	63.5	119	35	1.65
3.0"	76.2	131.8	41	1.65
4.0"	101.6	174.6	54	2.1



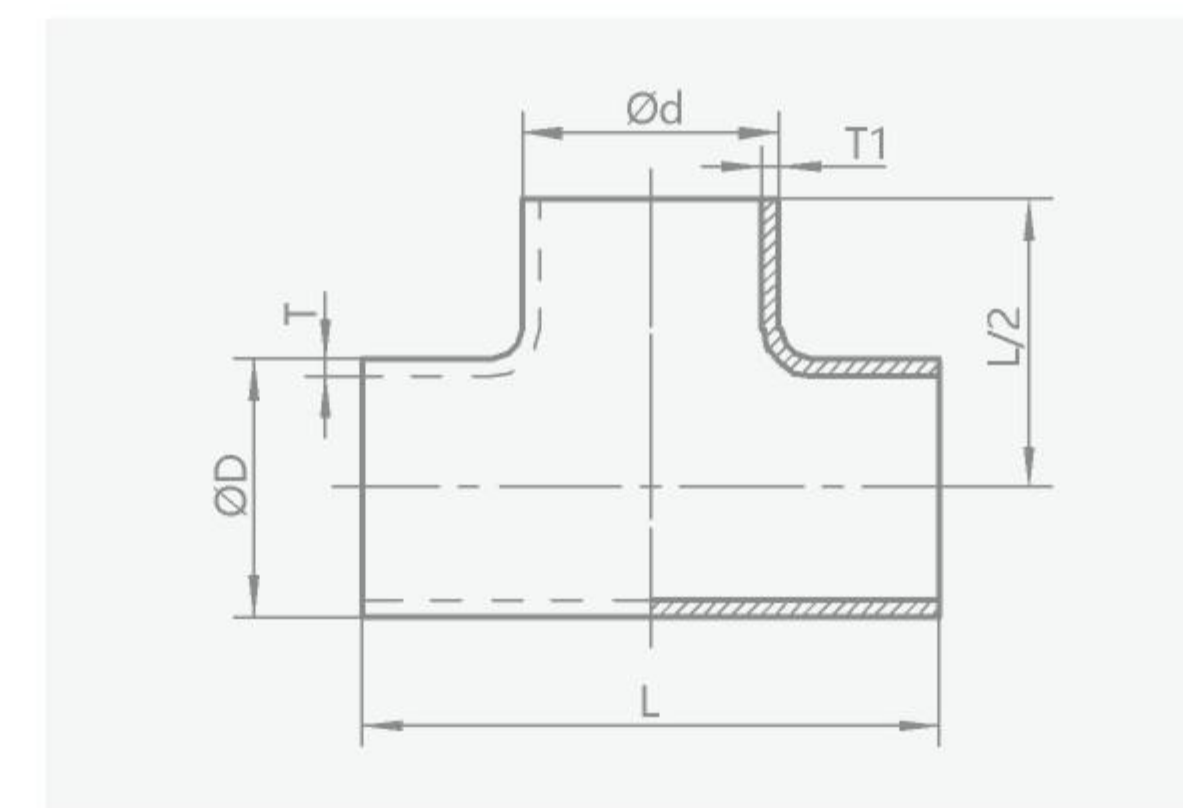
焊式变径平口短三通 Weld Short Reducing Tee Without Straight End						
Size	ØD	Ød	L	L1	T	T1
1.5"x1.0"	38.1	25.4	84.2	22	1.65	1.65
2.0"x1.0"	50.8	25.4	104.8	29	1.65	1.65
2.0"x1.5"	50.8	38.1	104.8	29	1.65	1.65
2.5"x1.0"	63.5	25.4	119	35	1.65	1.65
2.5"x1.5"	63.5	38.1	119	35	1.65	1.65
2.5"x2.0"	63.5	50.8	119	35	1.65	1.65
3.0"x1.0"	76.2	25.4	131.8	41	1.65	1.65
3.0"x1.5"	76.2	38.1	131.8	41	1.65	1.65
3.0"x2.0"	76.2	50.8	131.8	41	1.65	1.65
3.0"x2.5"	76.2	63.5	131.8	41	1.65	1.65
4.0"x1.0"	101.6	25.4	174.6	54	1.65	2.1
4.0"x1.5"	101.6	38.1	174.6	54	1.65	2.1
4.0"x2.0"	101.6	50.8	174.6	54	1.65	2.1
4.0"x2.5"	101.6	63.5	174.6	54	1.65	2.1
4.0"x3.0"	101.6	76.2	174.6	54	1.65	2.1



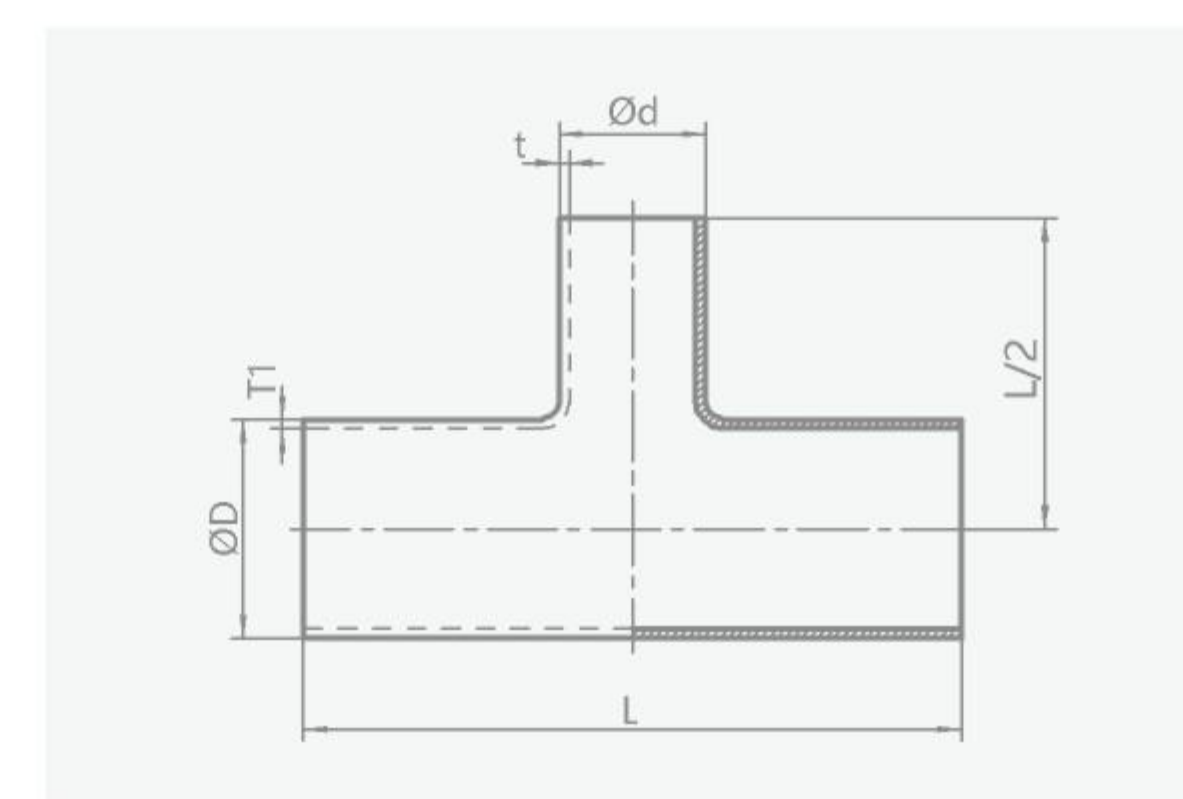
焊式等径短三通 Weld Short Equal Tee			
Size	ØD	L	T
1/2"	12.7	38.1	1.65
3/4"	19.1	57.2	1.65
1.0"	25.4	57.2	1.65
1.25"	31.8	76	1.65
1.5"	38.1	84.2	1.65
2.0"	50.8	104.8	1.65
2.5"	63.5	119	1.65
3.0"	76.2	131.8	1.65
4.0"	101.6	174.6	2.1
6.0"	152.4	254	2.77



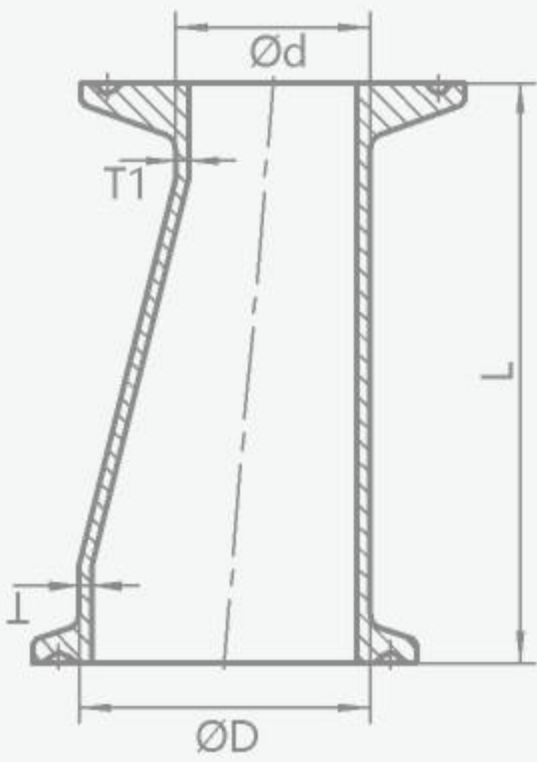
焊式等径长三通 Weld Long Equal Tee			
Size	ØD	L	T
1/2"	12.7	95.2	1.65
3/4"	19.1	95.2	1.65
1.0"	25.4	95.2	1.65
1.25"	31.8	110	1.65
1.5"	38.1	114.4	1.65
2.0"	50.8	152.4	1.65
2.5"	63.5	152.4	1.65
3.0"	76.2	165.2	1.65
4.0"	101.6	196.8	2.1
6.0"	152.4	285.8	2.77



焊式变径短三通 / Weld Short Reducing Tee					
Size	ØD	Ød	L	T	T1
3/4"x1/2"	19.1	12.7	57.2	1.65	1.65
1.0"x1/2"	25.4	12.7	57.2	1.65	1.65
1.0"x3/4"	25.4	19.1	57.2	1.65	1.65
1.5"x1/2"	38.1	12.7	84.2	1.65	1.65
1.5"x3/4"	38.1	19.1	84.2	1.65	1.65
1.5"x1.0"	38.1	25.4	84.2	1.65	1.65
2.0"x1/2"	50.8	12.7	104.8	1.65	1.65
2.0"x3/4"	50.8	19.1	104.8	1.65	1.65
2.0"x1.0"	50.8	25.4	104.8	1.65	1.65
2.0"x1.5"	50.8	38.1	104.8	1.65	1.65
2.5"x1.0"	63.5	25.4	119	1.65	1.65
2.5"x1.5"	63.5	38.1	119	1.65	1.65
2.5"x2.0"	63.5	50.8	119	1.65	1.65
3.0"x1.0"	76.2	25.4	131.8	1.65	1.65
3.0"x1.5"	76.2	38.1	131.8	1.65	1.65
3.0"x2.0"	76.2	50.8	131.8	1.65	1.65
3.0"x2.5"	76.2	63.5	131.8	1.65	1.65
4.0"x1.0"	101.6	25.4	174.6	2.1	1.65
4.0"x1.5"	101.6	38.1	174.6	2.1	1.65
4.0"x2.0"	101.6	50.8	174.6	2.1	1.65
4.0"x2.5"	101.6	63.5	174.6	2.1	1.65
4.0"x3.0"	101.6	76.2	174.6	2.1	1.65

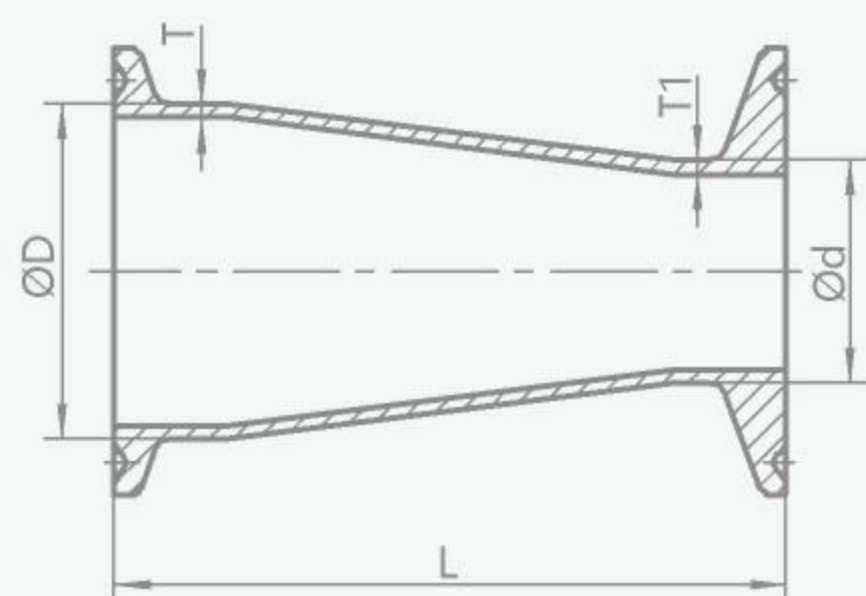


焊式变径长三通 / Weld Long Reducing Tee					
Size	ØD	Ød	L	T	T1
1/2"x3/8"	12.7	9.5	95.2	1.65	1.65
3/4"x1/2"	19.1	12.7	95.2	1.65	1.65
1.0"x3/8"	25.4	9.5	95.2	1.65	1.65
1.0"x1/2"	25.4	12.7	95.2	1.65	1.65
1.0"x3/4"	25.4	19.1	95.2	1.65	1.65
1.5"x1/2"	38.1	12.7	114.4	1.65	1.65
1.5"x1.0"	38.1	25.4	114.4	1.65	1.65
2.0"x1/2"	50.8	12.7	114.4	1.65	1.65
2.0"x1.0"	50.8	25.4	152.4	1.65	1.65
2.0"x1.5"	50.8	38.1	152.4	1.65	1.65
2.5"x1.0"	63.5	25.4	152.4	1.65	1.65
2.5"x1.5"	63.5	38.1	152.4	1.65	1.65
2.5"x2.0"	63.5	50.8	152.4	1.65	1.65
3.0"x1.0"	76.2	25.4	152.4	1.65	1.65
3.0"x1.5"	76.2	38.1	165.2	1.65	1.65
3.0"x2.0"	76.2	50.8	165.2	1.65	1.65
3.0"x2.5"	76.2	63.5	165.2	1.65	1.65
4.0"x1.0"	101.6	25.4	165.2	2.1	1.65
4.0"x1.5"	101.6	38.1	196.8	2.1	1.65
4.0"x2.0"	101.6	50.8	196.8	2.1	1.65
4.0"x2.5"	101.6	63.5	196.8	2.1	1.65
4.0"x3.0"	101.6	76.2	196.8	2.1	1.65



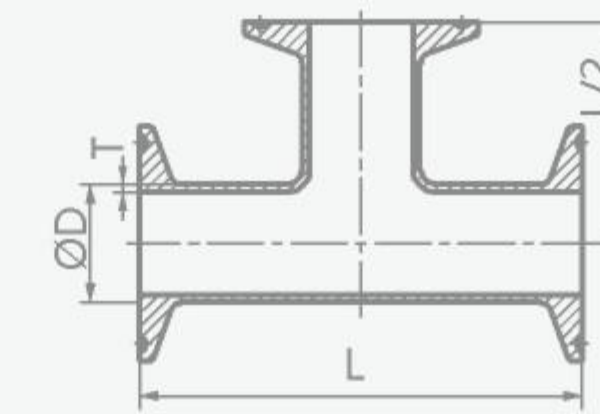
夹式偏心大小头 / Clamp Eccentric Reducer

Size	ØD	Ød	L	T	T1
3/4"X1/2"	19.1	12.7	50.8	1.65	1.65
1.0"X1/2"	25.4	12.7	76.2	1.65	1.65
1.0"X3/4"	25.4	19.1	50.8	1.65	1.65
1.5"X1/2"	38.1	12.7	127	1.65	1.65
1.5"X3/4"	38.1	19.1	101.2	1.65	1.65
1.5"x1.0"	38.1	25.4	76.2	1.65	1.65
2.0"X1/2"	50.8	12.7	177.8	1.65	1.65
2.0"X1.0"	50.8	25.4	127	1.65	1.65
2.0"X1.5"	50.8	38.1	76.2	1.65	1.65
2.5"X1.0"	63.5	25.4	177.8	1.65	1.65
2.5"X1.5"	63.5	38.1	127	1.65	1.65
2.5"X2.0"	63.5	50.8	76.2	1.65	1.65
3.0"X1.0"	76.2	25.4	228.6	1.65	1.65
3.0"X1.5"	76.2	38.1	177.8	1.65	1.65
3.0"X2.0"	76.2	50.8	127	1.65	1.65
3.0"X2.5"	76.2	63.5	76.2	1.65	1.65
4.0"X1.0"	101.6	25.4	330.2	2.1	1.65
4.0"X1.5"	101.6	38.1	282.5	2.1	1.65
4.0"X2.0"	101.6	50.8	231.7	2.1	1.65
4.0"X2.5"	101.6	63.5	180.9	2.1	1.65
4.0"X3.0"	101.6	76.2	130.1	2.1	1.65



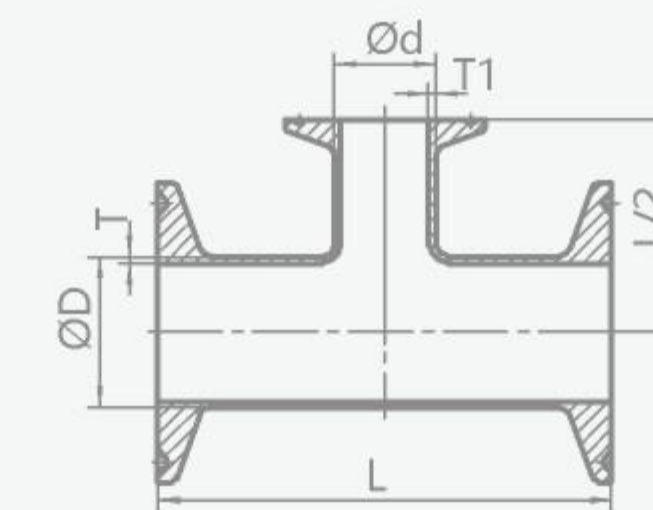
夹式同心大小头 / Clamp Concentric Reducer

Size	ØD	Ød	L	T	T1
3/4"X1/2"	19.1	12.7	50.8	1.65	1.65
1.0"X1/2"	25.4	12.7	76.2	1.65	1.65
1.0"X3/4"	25.4	19.1	50.8	1.65	1.65
1.5"X1/2"	38.1	12.7	127	1.65	1.65
1.5"X3/4"	38.1	19.1	101.6	1.65	1.65
1.5"x1.0"	38.1	25.4	76.2	1.65	1.65
2.0"X1/2"	50.8	12.7	177.8	1.65	1.65
2.0"X3/4"	50.8	19.1	152.4	1.65	1.65
2.0"X1.0"	50.8	25.4	127	1.65	1.65
2.0"X1.5"	50.8	38.1	76.2	1.65	1.65
2.5"X1.0"	63.5	25.4	177.8	1.65	1.65
2.5"X1.5"	63.5	38.1	127	1.65	1.65
2.5"X2.0"	63.5	50.8	76.2	1.65	1.65
3.0"X1.0"	76.2	25.4	228.6	1.65	1.65
3.0"X1.5"	76.2	38.1	177.8	1.65	1.65
3.0"X2.0"	76.2	50.8	127	1.65	1.65
3.0"X2.5"	76.2	63.5	76.2	1.65	1.65
4.0"X1.0"	101.6	25.4	330.2	2.1	1.65
4.0"X1.5"	101.6	38.1	282.5	2.1	1.65
4.0"X2.0"	101.6	50.8	231.7	2.1	1.65
4.0"X2.5"	101.6	63.5	180.9	2.1	1.65
4.0"X3.0"	101.6	76.2	130.1	2.1	1.65



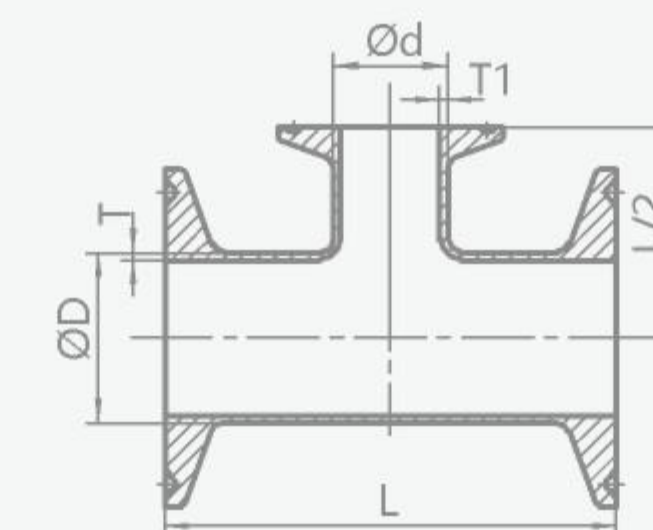
夹式等径长三通 / Clamp Long Equal Tee

Size	ØD	L	T
1/2"	12.7	120.6	1.65
3/4"	19.1	120.6	1.65
1.0"	25.4	120.6	1.65
1.25"	31.8	135.4	1.65
1.5"	38.1	139.8	1.65
2.0"	50.8	177.8	1.65
2.5"	63.5	177.8	1.65
3.0"	76.2	190.6	1.65
4.0"	101.6	228.4	2.1
6.0"	152.4	328.8	2.77



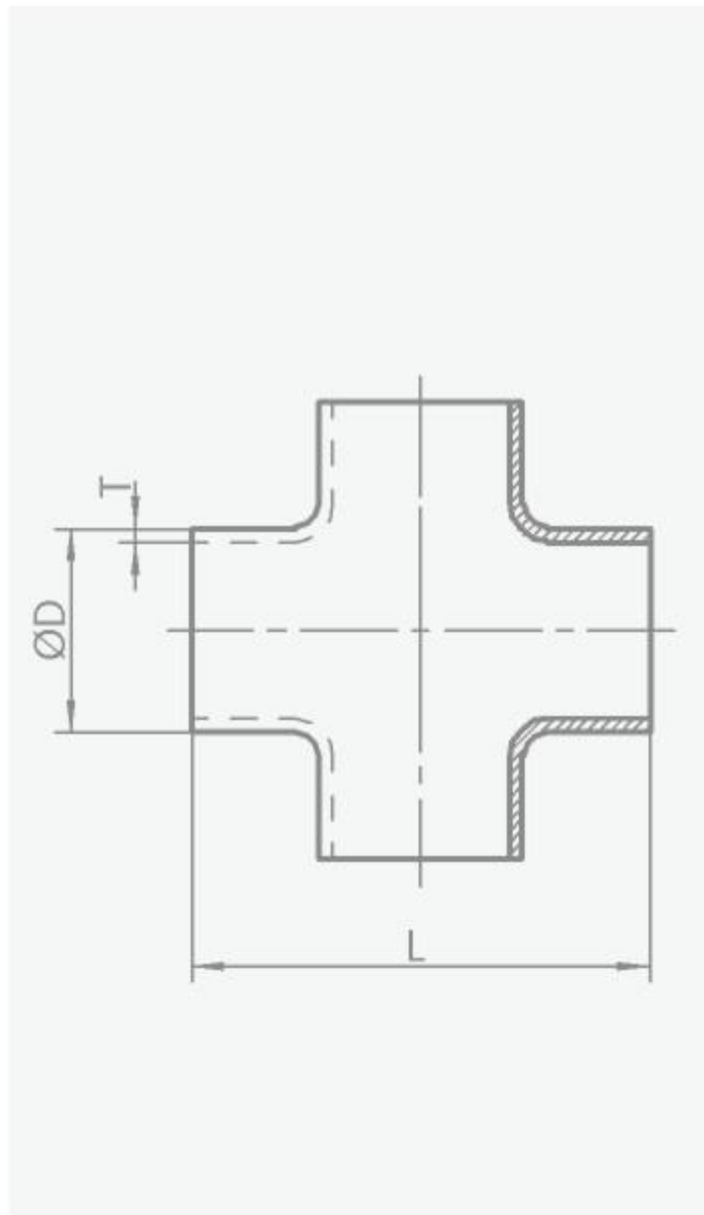
夹式变径长三通 / Clamp Long Reducing Tee

Size	ØD	Ød	L	T	T1
1.5"x1.0"	38.1	25.4	139.8	1.65	1.65
2.0"X1.0"	50.8	25.4	177.8	1.65	1.65
2.0"X1.5"	50.8	38.1	177.8	1.65	1.65
2.5"X1.0"	63.5	25.4	177.8	1.65	1.65
2.5"X1.5"	63.5	38.1	177.8	1.65	1.65
2.5"X2.0"	63.5	50.8	177.8	1.65	1.65
3.0"X1.0"	76.2	25.4	190.6	1.65	1.65
3.0"X1.5"	76.2	38.1	190.6	1.65	1.65
3.0"X2.0"	76.2	50.8	190.6	1.65	1.65
3.0"X2.5"	76.2	63.5	190.6	1.65	1.65
4.0"X1.0"	101.6	25.4	228.4	2.1	1.65
4.0"X1.5"	101.6	38.1	228.4	2.1	1.65
4.0"X2.0"	101.6	50.8	228.4	2.1	1.65
4.0"X2.5"	101.6	63.5	228.4	2.1	1.65
4.0"X3.0"	101.6	76.2	228.4	2.1	1.65

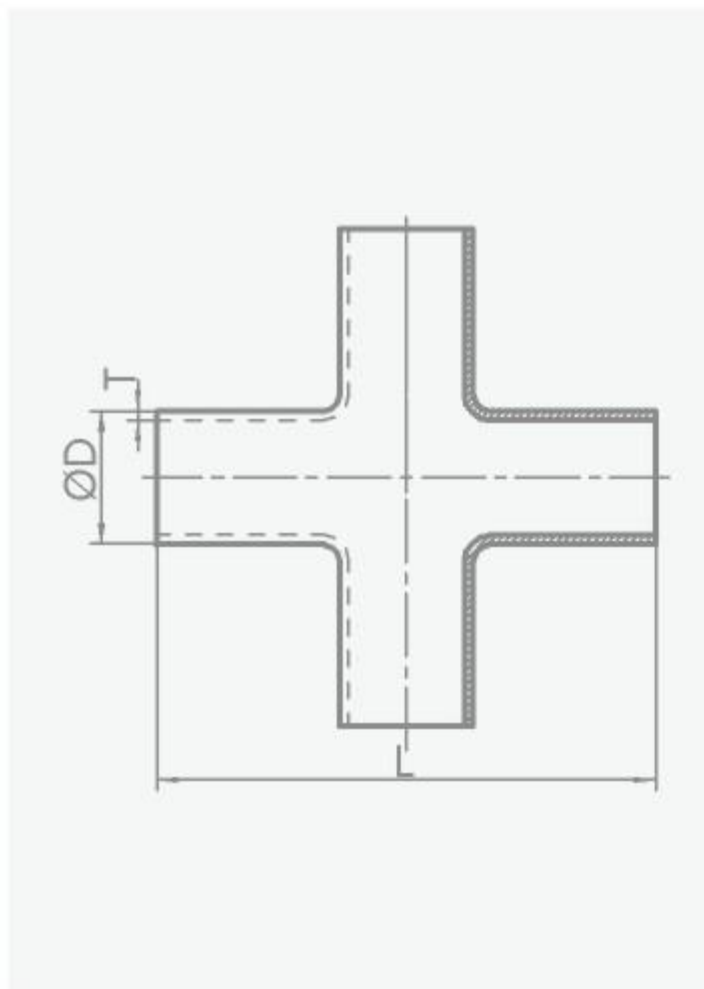


夹式变径短三通 / Clamp Short Equal Tee

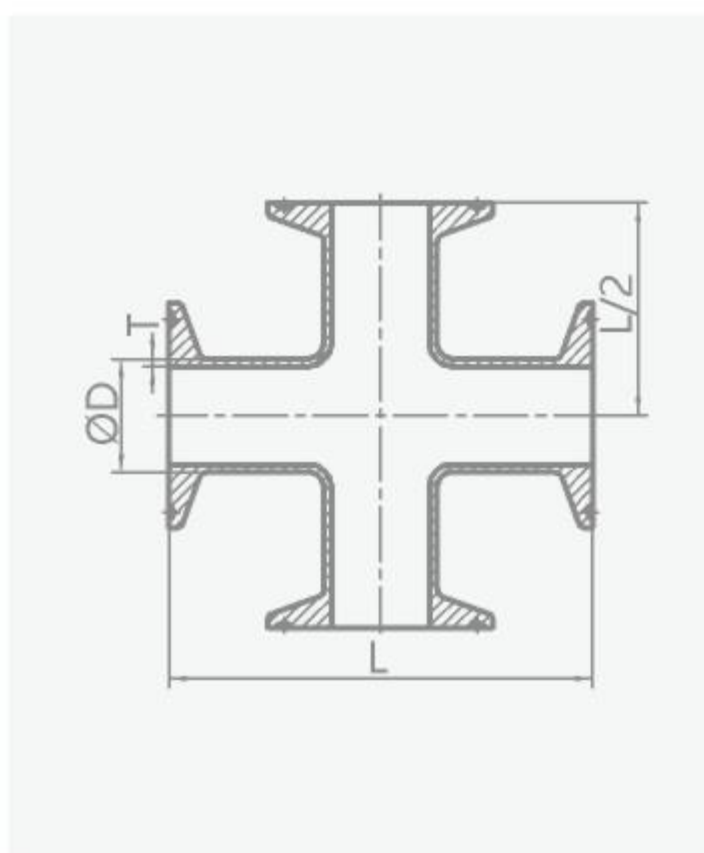
Size	ØD	Ød	L	T	T1
1.5"x1.0"	38.1	25.4	109.6	1.65	1.65
2.0"X1.0"	50.8	25.4	130.2	1.65	1.65
2.0"X1.5"	50.8	38.1	130.2	1.65	1.65
2.5"X1.0"	63.5	25.4	144.4	1.65	1.65
2.5"X1.5"	63.5	38.1	144.4	1.65	1.65
2.5"X2.0"	63.5	50.8	144.4	1.65	1.65
3.0"X1.0"	76.2	25.4	157.2	1.65	1.65
3.0"X1.5"	76.2	38.1	157.2	1.65	1.65
3.0"X2.0"	76.2	50.8	157.2	1.65	1.65
3.0"X2.5"	76.2	63.5	157.2	1.65	1.65
4.0"X1.0"	101.6	25.4	206.2	2.1	1.65
4.0"X1.5"	101.6	38.1	206.2	2.1	1.65
4.0"X2.0"	101.6	50.8	206.2	2.1	1.65
4.0"X2.5"	101.6	63.5	206.2	2.1	1.65
4.0"X3.0"	101.6	76.2	206.2	2.1	1.65



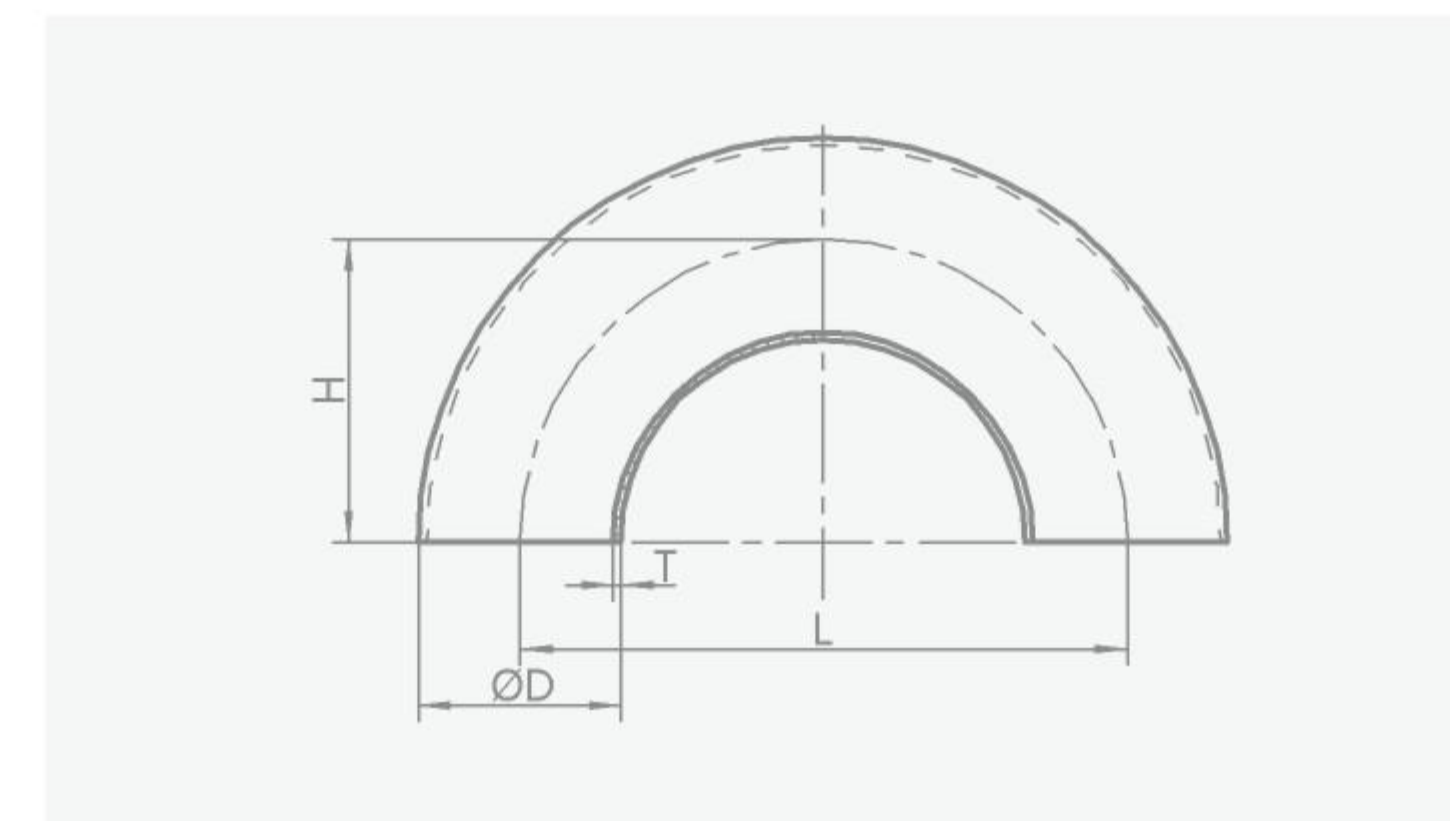
焊式等径短四通 / Weld Short 4 Way Cross				
Size	ØD	L	T	
1/2"	12.7	38.1	1.65	
3/4"	19.1	57.2	1.65	
1.0"	25.4	57.2	1.65	
1.5"	38.1	84.2	1.65	
2.0"	50.8	104.8	1.65	
2.5"	63.5	119	1.65	
3.0"	76.2	131.8	1.65	
4.0"	101.6	174.6	2.1	
6.0"	152.4	254	2.77	



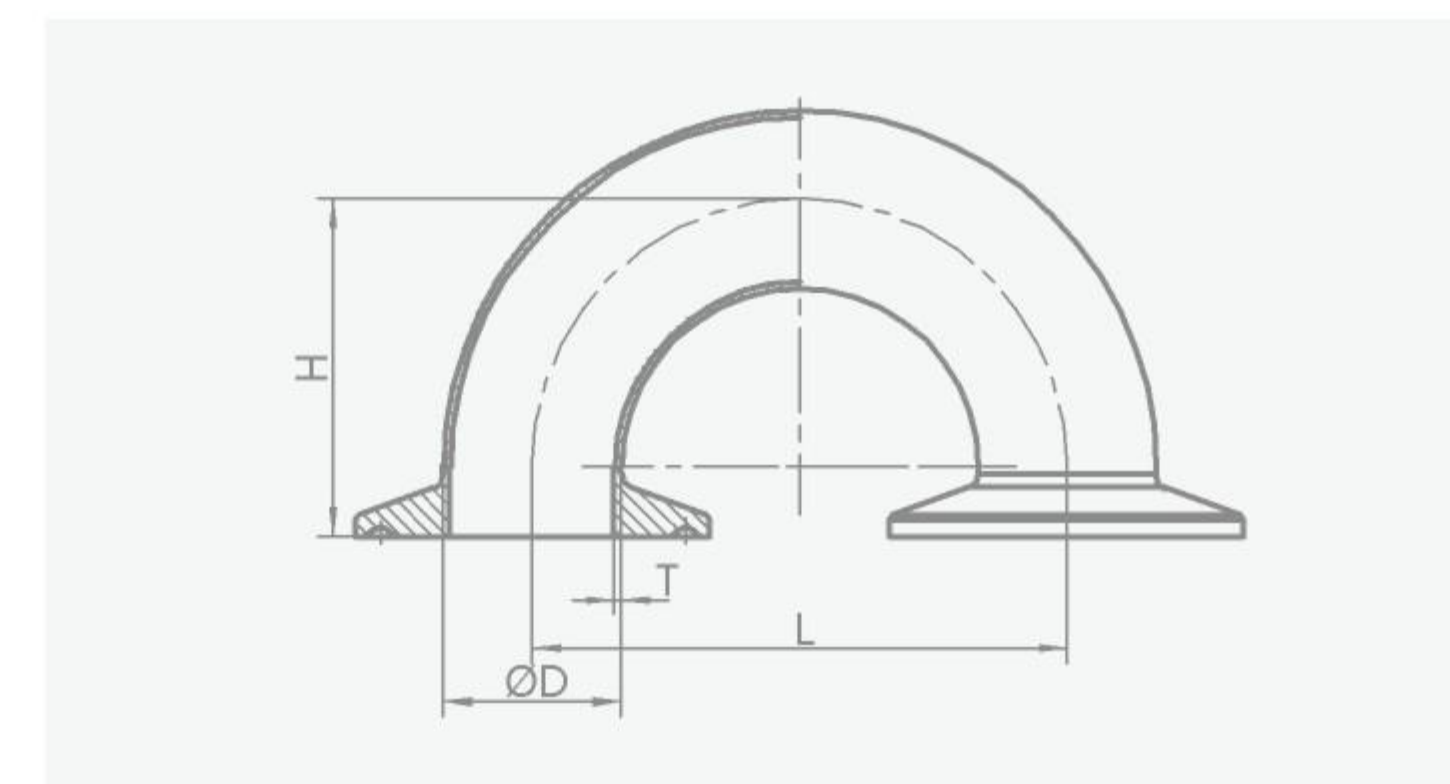
焊式等径长四通 / Weld Long 4 Way Cross				
Size	ØD	L	T	
1/2"	12.7	95.2	1.65	
3/4"	19.1	95.2	1.65	
1.0"	25.4	95.2	1.65	
1.5"	38.1	114.4	1.65	
2.0"	50.8	152.4	1.65	
2.5"	63.5	152.4	1.65	
3.0"	76.2	165.2	1.65	
4.0"	101.6	196.8	2.1	



夹式等径长四通 / Clamp Long 4 Way Cross				
Size	ØD	L	T	
1"	25.4	120.6	1.65	
1.5"	38.1	139.8	1.65	
2.0"	50.8	177.8	1.65	
2.5"	63.5	177.8	1.65	
3.0"	76.2	190.6	1.65	
4.0"	101.6	228.4	2.1	



180°焊式U型弯头 / 180° Weld U-Type Elbow					
Size	ØD	L	H	T	
1/2"	12.7	38.1	19.1	1.65	
3/4"	19.1	57.2	28.6	1.65	
1.0"	25.4	76.2	38.1	1.65	
1.5"	38.1	114.4	57.2	1.65	
2.0"	50.8	152.4	76.2	1.65	
2.5"	63.5	190.5	95.3	1.65	
3.0"	76.2	228.6	114.3	1.65	
4.0"	101.6	304.8	152.4	2.1	
6.0"	152.4	457.2	228.6	2.77	



180°夹式U型弯头 / 180° Clamp U-Type Elbow					
Size	ØD	L	H	T	
1/2"	12.7	38.1	31.8	1.65	
3/4"	19.1	57.2	41.3	1.65	
1.0"	25.4	76.2	50.8	1.65	
1.5"	38.1	114.4	69.9	1.65	
2.0"	50.8	152.4	88.9	1.65	
2.5"	63.5	190.5	108	1.65	
3.0"	76.2	228.6	127	1.65	
4.0"	101.6	304.8	168.2	2.1	
6.0"	152.4	457.2	250.1	2.77	

